



Mounting instruction

# Duct suspension





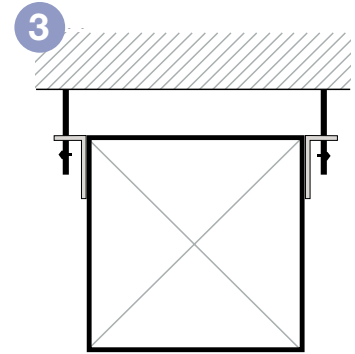
# Rectangular suspension

## Examples

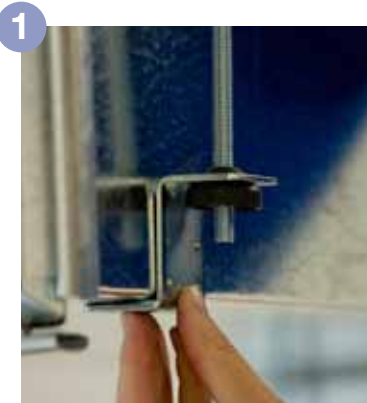
### L-fastener



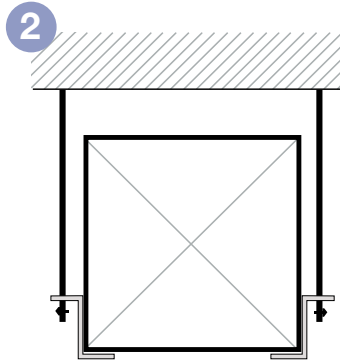
### WCLGM



### Z-fastener



### WCLGM



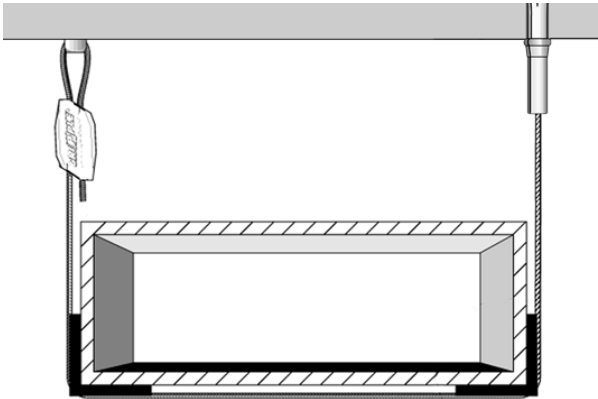
### Channel RPA





# Rectangular suspension

**FHCS**

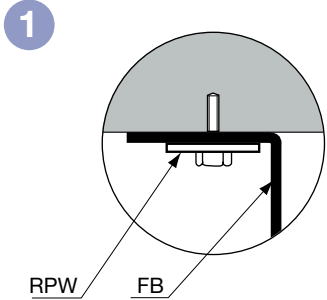




# Circular suspension

## Suspension band

## FB17/30/40/50, RPW





# Circular duct rings

## UV, UVH

1



2



3



4



5



6



## DRSNR

1



2



3



4





# Gripple

**FHL**

1



2



3



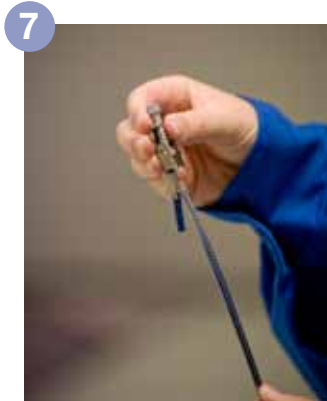
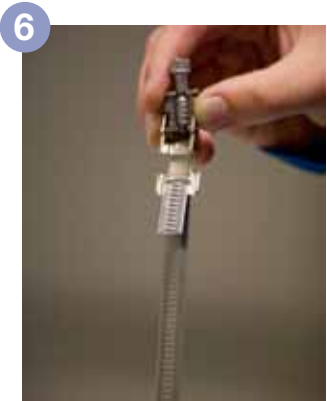
4





# Flexible ducting

## FDB/FDBL





# Flexible ducting

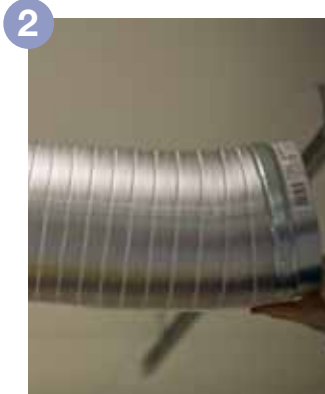
## Mounting flexible ducting



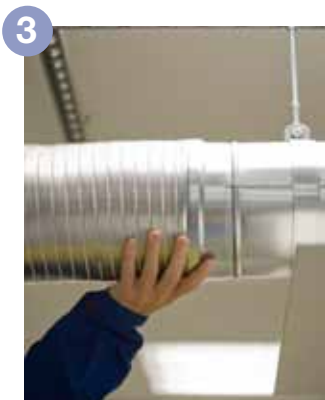
## DRASUT



Connect



Pull the duct



Connect to diffuser



Fasten with screw or pop rivet





# Channel brackets

## CN

1



2



## CNSS/CNLS



